

Application Note



Product: Ascom UNITE Medamax Gateway

Purpose: Configuration Guide for SimplexGrinnell Nurse Call Integration

Date: October 31, 2007

Integration of SimplexGrinnell Nurse Call Systems with UNITE Medamax Gateway

Introduction

This document outlines the necessary steps and guidelines to optimally integrate the Ascom UNITE Medamax Gateway with SimplexGrinnell Nurse Call Systems.

This guide should be used in conjunction with the appropriate vendor configuration guide(s) and is intended for someone knowledgeable on the configuration of SimplexGrinnell Nurse Call and Ascom UNITE systems.

The steps, screen shots, and command line syntax depicted throughout this document are based upon Ascom Medamax Gateway software version 2.13 and SimplexGrinnell Nurse Call Systems Sentinel Touch version 3.0.191 and EZ Care VITALTouch version 4.0.24.

Product Summary and Network Topology

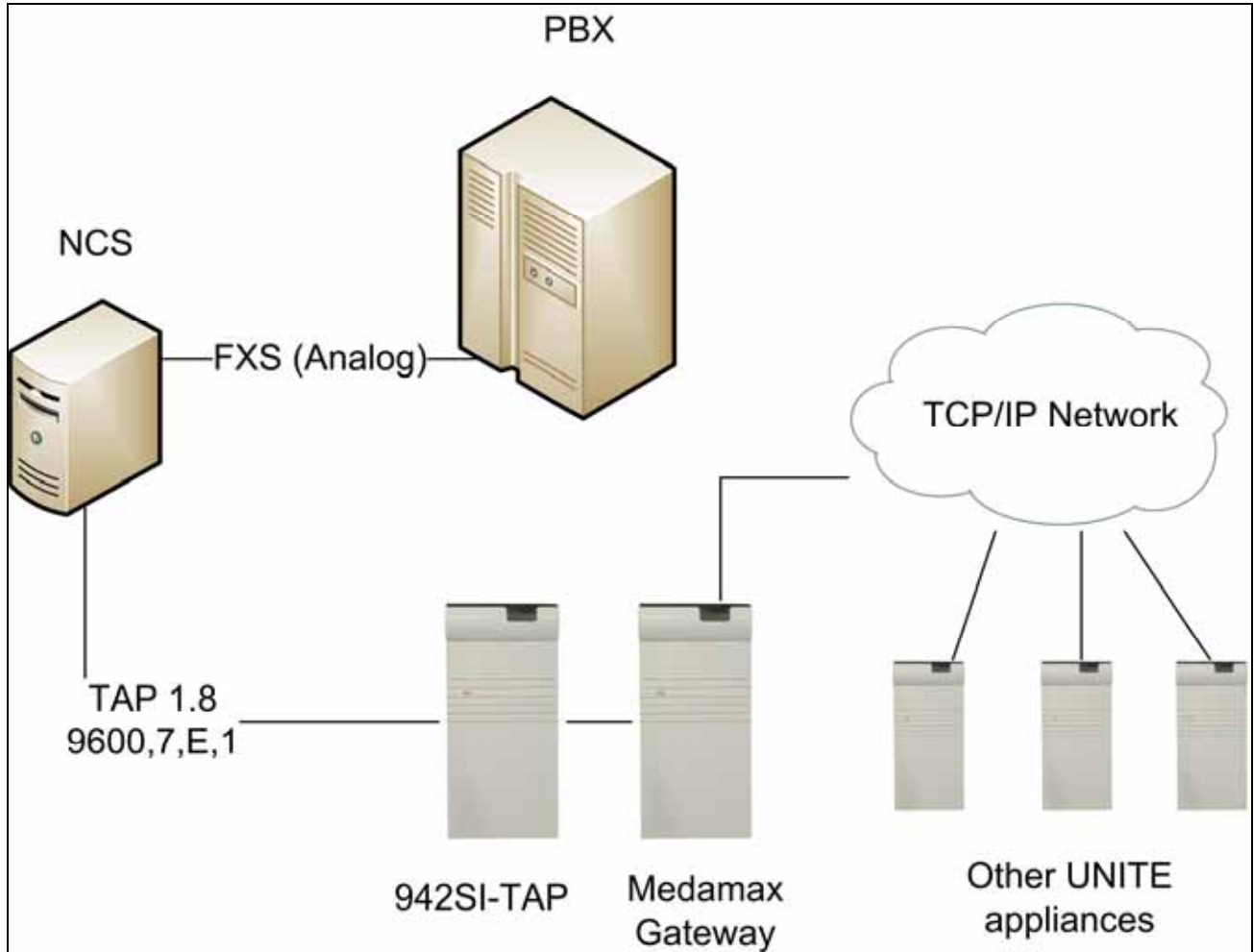
Manufacturer	SimplexGrinnell
Manufacturer products	Sentinel Touch (SW version 3.0.191) and EZ Care VITALTouch (SW version 4.0.24)
Physical interface method	RS232 with 9600, 7, E, 1, no flow control
Protocol	TAP 1.8
UNITE Product	T942SI-TAP with Medamax Gateway (SW version 2.13)

Application Note

Product: Ascom UNITE Medamax Gateway

Purpose: Configuration Guide for SimplexGrinnell Nurse Call Integration

Date: October 31, 2007



Product: Ascom UNITE Medamax Gateway

Purpose: Configuration Guide for SimplexGrinnell Nurse Call Integration

Date: October 31, 2007

SimplexGrinnell Nurse Call Configuration

Sentinel requires both the pager and telephone interface licenses. EZ Care VITALTouch requires a telephone interface license.

The following settings are needed in Sentinel's Zettler.INI file or the EZ Care VITALTouch PCNCS.INI file.

Section 222 [Ports]

- Wireless=2
(port which the serial cable connected to the Ascom unit)
- WirelessInit=9600,E,7,1
- WirelessHandshake=RTSXONXOFF

Section 777 [Pager]

- Pager=Yes
- WirelessProtocol=Ascom
- VoicePhone=998PPPPPPP
(phone number of Nurse Call modem connected to the PBX. Using upper case P to indicate pauses – this is captured in the event handler of the Ascom system)

For Sentinel Touch integrations, you may need to modify the volume control settings from the Administration dialog. The settings important to the telephone interface are:

- Trunk-to-Handsfree/Handset
- Handsfree/Handset-to-Trunk
- Trunk-to-Telephone

Due to ambient noise in a customer site, the values here will likely require adjustments to provide the best audio possible for the local environment. Start with settings at 80% and work from there to find the best balance.

Application Note

Product: Ascom UNITE Medamax Gateway

Purpose: Configuration Guide for SimplexGrinnell Nurse Call Integration

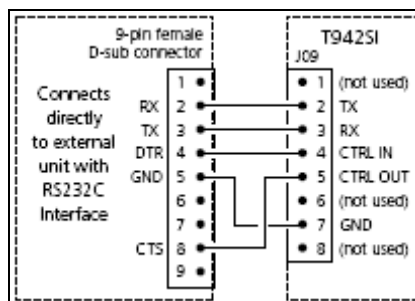
Date: October 31, 2007

Ascom UNITE Configuration

942SI-TAP

The 942SI-TAP appliance provides a TAP 1.8 compliant inbound interface to the Medamax Gateway.

1. Connect the SimplexGrinnell Nurse Call computer to the 8-pin modular connector J09 on the 942SI Serial Interface according to the applicable drawing below.



2. Connect the 942SI-TAP appliance to the Medamax Gateway via the System 900 bus. Make sure to set an appropriate module address with SW01 on the 942SI.

Medamax Gateway

The Medamax Gateway, a component of the Ascom UNITE Messaging Suite, enables the integration of the SimplexGrinnell Nurse Call Systems (NCS) with on-site wireless communication systems, wide-area paging carriers and short messaging service enabled cellular providers.

System 900 configuration

1. Navigate to the Medamax Gateway administration interface (<http://xxx.xxx.xxx.xxx/admin>) and click on the System 900 interface link.
2. Set the *Bus Operating Mode* to “A-bus without Central Unit” and set the *Number of digits in call number* to the number of digits (extension length) received from the external system (e.g. 1234, set value to 4).

Application Note

ascom

Product: Ascom UNITE Medamax Gateway

Purpose: Configuration Guide for SimplexGrinnell Nurse Call Integration

Date: October 31, 2007

System 900 Interface

Bus operating mode	?	A-bus without Central Unit ▼	Previous
Module priority (*)	?	3 ▼	Factory
Number of message transmissions (*)	?	2	
Configuration of parameters below ?	?	Automatic ▼	
Number of digits in call number (**)	?	4 ▼	
Prefix and call number range (**)	?	FFFFFFFF	
* = Only valid when 'A-bus with Central Unit' is selected	?		
** = Only manual configuration	?		
Send module status from A-bus to Unite?	?	Yes ▼	
Call Diversion Display Text	?	Disabled ▼ To: %	

[View advanced parameters](#)

ActivateCancel

Restore Default Configuration

1. Navigate to the Medamax Gateway web administration page (<http://xxx.xxx.xxx.xxx>) and click the advanced button and then click the Backup/Restore link.
2. Click the Browse button and select the default Medamax Gateway configuration database for SimplexGrinnell. Now, click the Restore button.

Application Note



Product: Ascom UNITE Medamax Gateway

Purpose: Configuration Guide for SimplexGrinnell Nurse Call Integration

Date: October 31, 2007

SimplexGrinnell Default Configuration overview

The default configuration includes the following event elements:

Event Element Name	Event Element Description
Event	Event Text received from the Nurse Call system. For example, "2nd-101 A Bed Call".
CallBackString	The callback string that is necessary for the portable device to callback to originating room/bed audio station.
CallID	The device id (aka extension) that is received from the third party system, which designates the device that shall receive the notification event.
Type	The designated type of third party system that generated the inbound event. NCS = nurse call system events

It also includes two Events/Actions:

- One that performs an action which includes an Interactive Message providing callback capability to patient station.
- One that performs an action which includes a Message providing user Accept/Reject acknowledgement options.

These Events/Actions serve as examples and be modified and added upon depending on the specific customer requirements.

Customize Web Interface

The Medamax Gateway web administration interface can be customized to reflect the Medamax Gateway name convention allowing administrators to easily associate this UNITE appliance with its integrated function.

1. Navigate to Medamax Gateway web administration page (<http://xxx.xxx.xxx.xxx>) and click the advanced button and then click the Set Language link.
2. From the drop down box, select "English-Medamax and click the Set Language button.
3. Next, with an FTP client (i.e. Windows Explorer), navigate to <ftp://xxx.xxx.xxx.xxx> and open the xgatestart folder. Replace the original index.html file with the Medamax Gateway specific index.html file.

Application Note



Product: Ascom UNITE Medamax Gateway

Purpose: Configuration Guide for SimplexGrinnell Nurse Call Integration

Date: October 31, 2007

Related Documents

Installation Guide, Serial Interface T942SI	TD 90927GB
Installation Guide, ELISE2	TD 92232GB
Installation and Operation Manual, XGate	TD 92338GB
User Manual Administration, XGate	TD 92364GB
Programming Guide, Event Handler	TD 92329GB

Additional Information

If you have any questions or need additional information, please contact Ascom Technical Assistance Center at 1-877-71-ASCOM, option 3.