

# Application Note



Product: Explosive Safe Base Station BS340/EX  
Purpose: Aid in connecting of the Explosive Safe Base Station.  
Date: 11/6/2008

## Connecting the Explosive Safe Base Station

### General

The Explosive Safe Base Station is connected via a terminal block that is physically mounted on the top of the base station inside the housing. Category 5 cabling is usually used to connect from the terminal block to either a RJ45 connector or to an Ascom provided 66 block.

### Problem

If the paired wires are not connected correctly then the base station will not function at all.

### Solution/Prevention

Connect the paired wires from the 66 block to the terminal block on the base station as shown below. The EPP pair does not have to be used unless the base station exceeds the distance that the two SC pairs will support. Refer to the Ascom TPM, AWS1268, or to the IP-DECT IOM for maximum cabling distances.

Ascom safety requirements specify that the Explosion Safe Base Station must be electrically protected by pre-fusing with a maximum rating of 350 mA-T. To do this, a Siemon Company CPM-2PLUS sneak current protection module or equivalent must be inserted in line with each of the pairs going to the Base Station. The CPM-2PLUS module will only work when installed on a split 66 type block. See the drawings below for module locations.

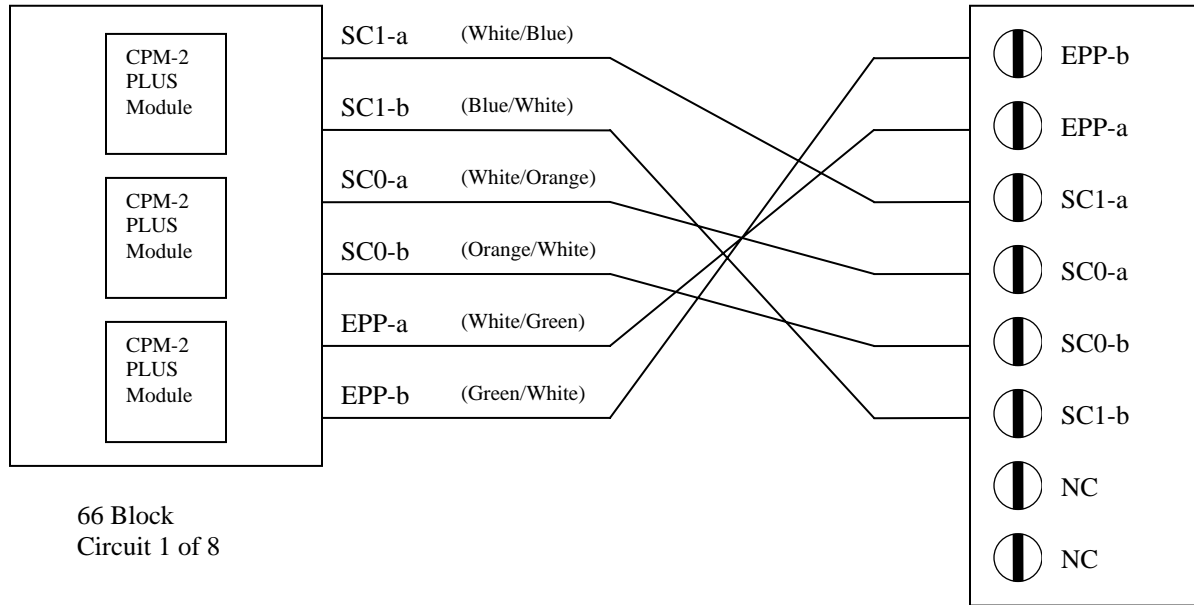
If Base station cables go outside of the building then the system must be protected from lightning strikes by surge arrestors. See Ascom application note AN-0252 for information and instructions on implementing this protection.

# Application Note



Product: Explosive Safe Base Station BS340/EX  
Purpose: Aid in connecting of the Explosive Safe Base Station.  
Date: 11/6/2008

## Modular Cabinet connections



66 Block  
Circuit 1 of 8

Connector block on  
the Base Station

## Connection of an Explosive Safe Base Station to a 66 Block

Refer to the drawing on the last page of this document to see the base station circuit configurations on a 66 block when the base station is connected to an Ascom Radio Exchange.

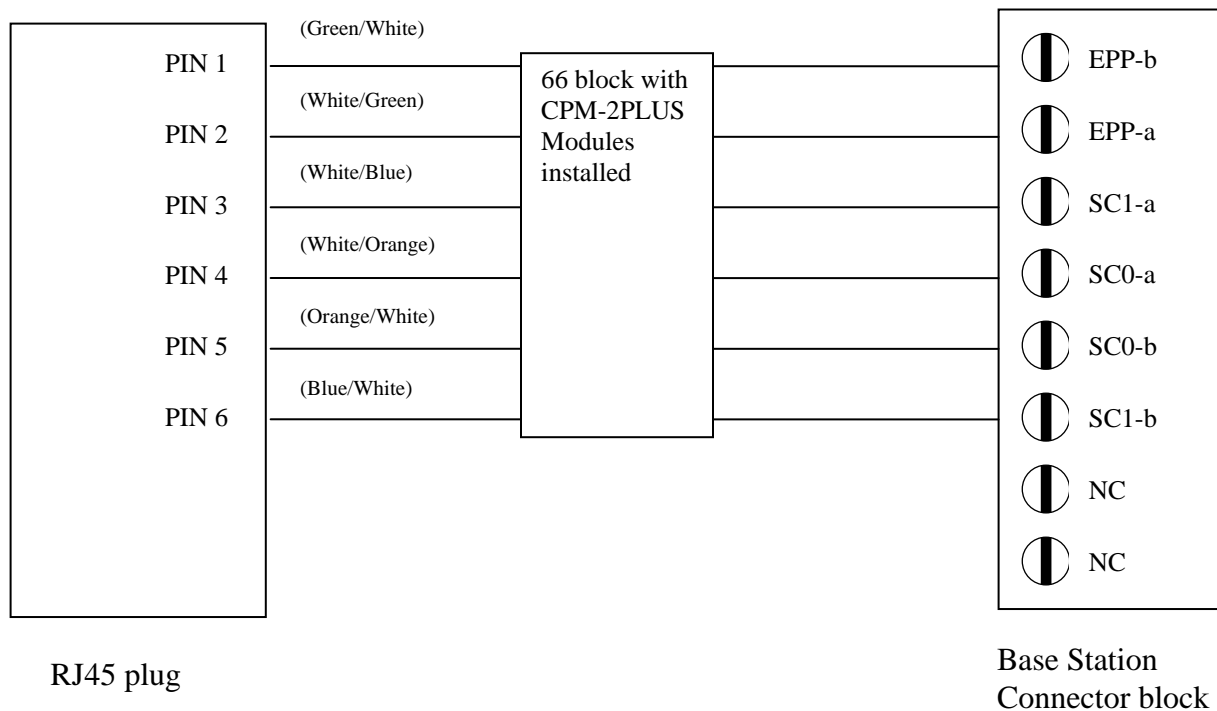
# Application Note



Product: Explosive Safe Base Station BS340/EX  
Purpose: Aid in connecting of the Explosive Safe Base Station.  
Date: 11/6/2008

## IP-DECT Gateway connection

Connect the paired wires from the RJ45 connector to the terminal block on the base station as shown below. The EPP pair does not have to be used unless the base station exceeds the distance that the two SC pairs will support. Refer to the Ascom IP-DECT Gateway Installation and Operation manual, for cabling distances.



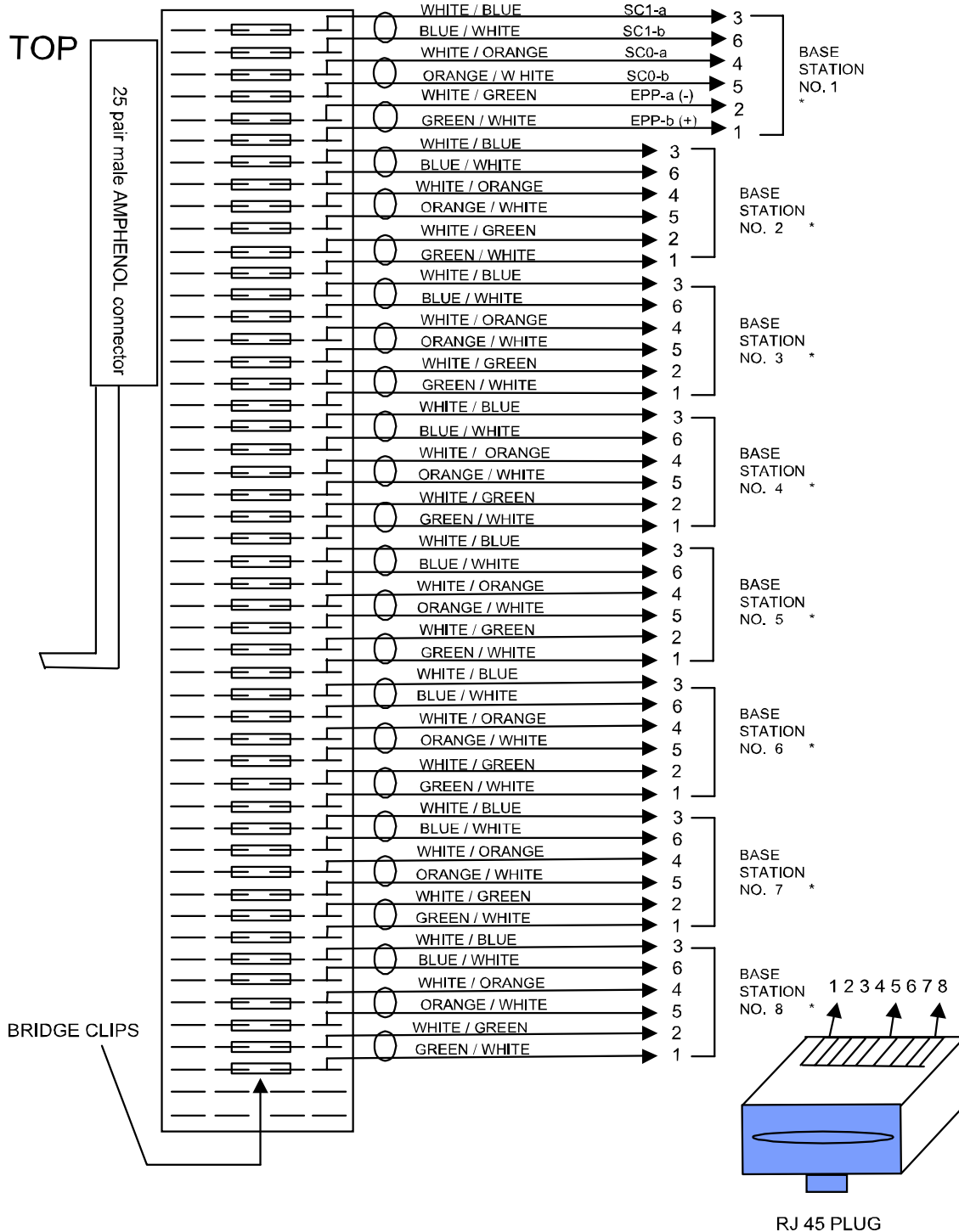
**RJ45 Cable Connection – Used to plug into the front of an IP-DECT Gateway.**

# Application Note



Product: Explosive Safe Base Station BS340/EX  
 Purpose: Aid in connecting of the Explosive Safe Base Station.  
 Date: 11/6/2008

## DCT1900 66 BLOCK BASE STATION WIRING RJ 45 PIN



\*

## Application Note

**ascom**

Product: Explosive Safe Base Station BS340/EX  
Purpose: Aid in connecting of the Explosive Safe Base Station.  
Date: 11/6/2008

**Note:** The CPM-2PLUS Modules would replace the bridge clips shown on the above drawing.

### **Additional Information**

If you have any questions about this bulletin, please contact Ascom Technical Services at 1-877 71ASCOM (1-877-712-7266) option 3.