

Application Note

External



Product: Ascom UNITE Medamax Gateway

Purpose: Configuration Guide for Dukane 6000 Nurse Call Integration

Date: March 16, 2009

Integration of Dukane Nurse Call Systems with UNITE Medamax Gateway

Introduction

This document outlines the necessary steps and guidelines to optimally integrate the Ascom UNITE Medamax Gateway with Dukane Nurse Call Systems.

This guide should be used in conjunction with the appropriate vendor configuration guide(s) and is intended for someone knowledgeable on the configuration of Dukane Nurse Call and Ascom UNITE systems.

The steps, screen shots, and command line syntax depicted throughout this document are based upon Ascom Medamax Gateway software version 2.13 and Dukane Nurse Call Systems ProCare 6000 with ESM application.

Product Summary and Network Topology

Manufacturer	Dukane
Manufacturer products	ProCare 6000 (PC6000) with ESM application
Physical interface method	RS232 with 9600, 7, E, 1, no flow control
Protocol	TAP 1.8
UNITE Product	T942SI-TAP with Medamax Gateway (SW version 2.13)

Application Note

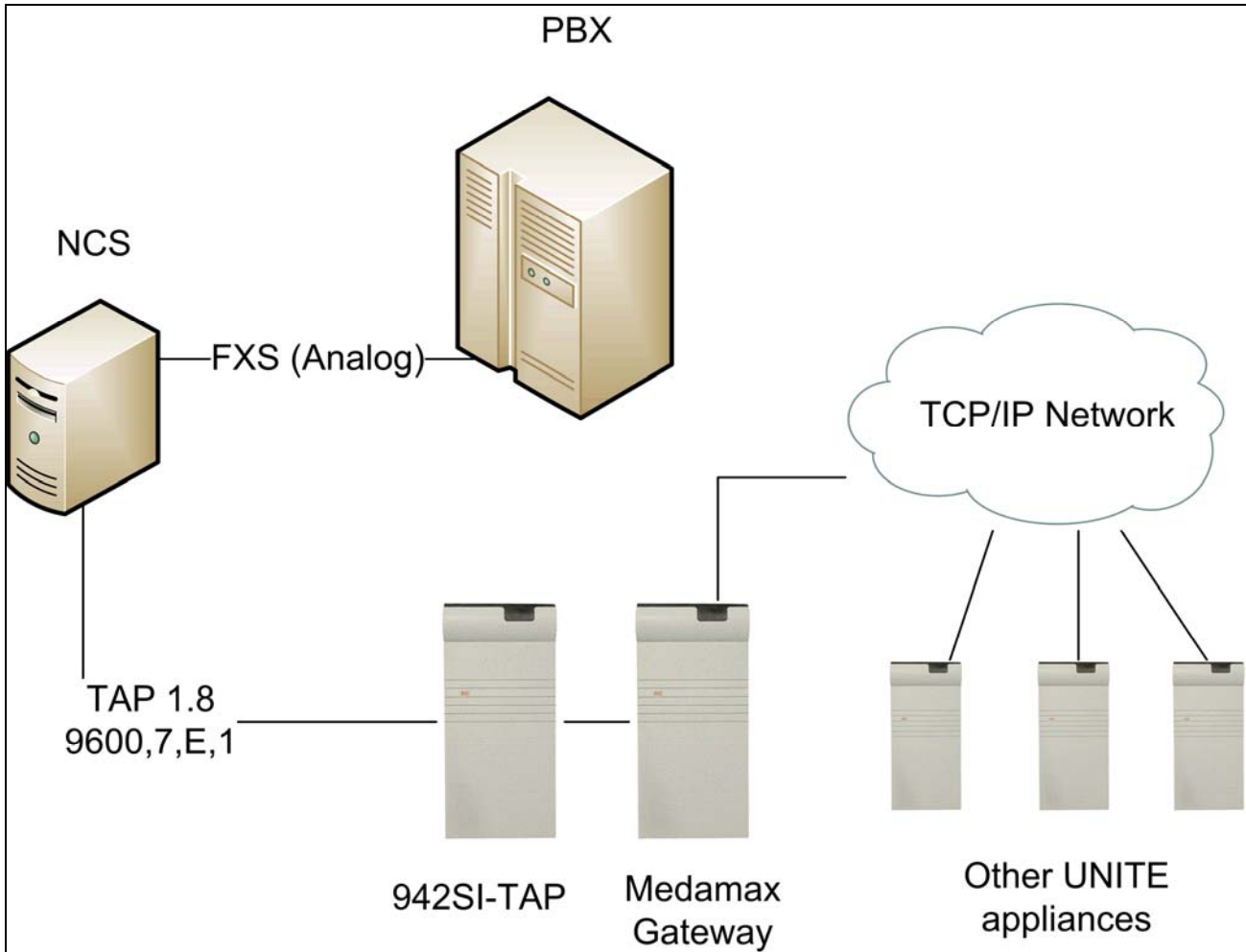
External



Product: Ascom UNITE Medamax Gateway

Purpose: Configuration Guide for Dukane 6000 Nurse Call Integration

Date: March 16, 2009



Product: Ascom UNITE Medamax Gateway

Purpose: Configuration Guide for Dukane 6000 Nurse Call Integration

Date: March 16, 2009

Models verified are:

PC6000 with ESM application

- Complete PC6000 system
- File Server (must be 110-3613C File Server with version 3.20.X or later firmware)
- ESM Server SW – Dukane PN 439-0001 (fully configured on a PC)
- PC6000 Bridge SW – Dukane PN 439-0002 (installed on a PC)
- Pocket Page Bridge SW – Dukane PN 439-0003 (installed on a PC)
- Telephone (TELCO) Interface installed

Note: All 3 SW applications listed can be installed on one PC if these will be the only ESM modules for the site.

ProCare 2000

The PC2000 can also integrate with Ascom through the ProCare 2600 interface. The system essentially becomes a PC6000. You would also require all the PC6000 items listed above. See Dukane's ESM Planning Guide, Document Number 427-20-00004, for upgrade details.

For further details, please refer to the configuration and installation manual of the Dukane Nurse Call system.

Dukane Nurse Call Configuration

The 110-2118 board supplied with the Dukane system is capable of at least two variations of the TAP protocol. In order to support TAP 1.8, dipswitches have to be set accordingly to 1000.

For further details, please refer to the configuration and installation manual of the Dukane Nurse Call system.

Product: Ascom UNITE Medamax Gateway

Purpose: Configuration Guide for Dukane 6000 Nurse Call Integration

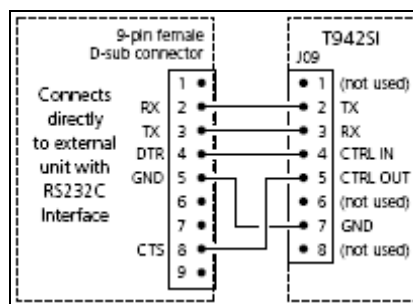
Date: March 16, 2009

Ascom UNITE Configuration

942SI-TAP

The 942SI-TAP appliance provides a TAP 1.8 compliant inbound interface to the Medamax Gateway.

1. Connect the Dukane Nurse Call computer to the 8-pin modular connector J09 on the 942SI Serial Interface according to the applicable drawing below.



2. Connect the 942SI-TAP appliance to the Medamax Gateway via the System 900 bus. Make sure to set an appropriate module address with SW01 on the 942SI.

Medamax Gateway

The Medamax Gateway, a component of the Ascom UNITE Messaging Suite, enables the integration of the Dukane Nurse Call Systems (NCS) with on-site wireless communication systems, wide-area paging carriers and short messaging service enabled cellular providers.

System 900 configuration

1. Navigate to the Medamax Gateway administration interface (<http://xxx.xxx.xxx.xxx/admin>) and click on the System 900 interface link.
2. Set the *Bus Operating Mode* to "A-bus without Central Unit" and set the *Number of digits in call number* to the number of digits (extension length) received from the external system (e.g. 1234, set value to 4).

Product: Ascom UNITE Medamax Gateway

Purpose: Configuration Guide for Dukane 6000 Nurse Call Integration

Date: March 16, 2009

System 900 Interface

Bus operating mode	?	A-bus without Central Unit ▼	Previous
Module priority (*)	?	3 ▼	Factory
Number of message transmissions (*)	?	2	
Configuration of parameters below ?	?	Automatic ▼	
Number of digits in call number (**)	?	4 ▼	
Prefix and call number range (**)	?	FFFFFFFF	
* = Only valid when 'A-bus with Central Unit' is selected			
** = Only manual configuration			
Send module status from A-bus to Unite?	?	Yes ▼	
Call Diversion Display Text	?	Disabled ▼	
		To: %	
View advanced parameters			
Activate		Cancel	

Restore Default Configuration

1. Navigate to the Medamax Gateway web administration page (<http://xxx.xxx.xxx.xxx>) and click the advanced button and then click the Backup/Restore link.
2. Click the Browse button and select the default Medamax Gateway configuration database for Dukane. Now, click the Restore button.

Application Note

External



Product: Ascom UNITE Medamax Gateway

Purpose: Configuration Guide for Dukane 6000 Nurse Call Integration

Date: March 16, 2009

Dukane Default Configuration overview

The default configuration includes the following event elements:

Event Element Name	Event Element Description
Event	Event Text received from the Nurse Call system. For example, "2nd-101 A Bed Call".
CallBackString	The callback string that is necessary for the portable device to callback to originating room/bed audio station.
CallID	The device id (aka extension) that is received from the third party system, which designates the device that shall receive the notification event.
Type	The designated type of third party system that generated the inbound event. NCS = nurse call system events

It also includes two Events/Actions:

- One that performs an action which includes an Interactive Message providing callback capability to patient station.
- One that performs an action which includes a Message providing user Accept/Reject acknowledgement options.

These Events/Actions serve as examples and be modified and added upon depending on the specific customer requirements.

Customize Web Interface

The Medamax Gateway web administration interface can be customized to reflect the Medamax Gateway name convention allowing administrators to easily associate this UNITE appliance with its integrated function.

1. Navigate to Medamax Gateway web administration page (<http://xxx.xxx.xxx.xxx>) and click the advanced button and then click the Set Language link.
2. From the drop down box, select "English-Medamax and click the Set Language button.
3. Next, with an FTP client (i.e. Windows Explorer), navigate to <ftp://xxx.xxx.xxx.xxx> and open the xgatestart folder. Replace the original index.html file with the Medamax Gateway specific index.html file.

Application Note

External



Product: Ascom UNITE Medamax Gateway

Purpose: Configuration Guide for Dukane 6000 Nurse Call Integration

Date: March 16, 2009

Related Documents

Installation Guide, Serial Interface T942SI	TD 90927GB
Installation Guide, ELISE2	TD 92232GB
Installation and Operation Manual, XGate	TD 92338GB
User Manual Administration, XGate	TD 92364GB
Programming Guide, Event Handler	TD 92329GB

Additional Information

If you have any questions or need additional information, please contact Ascom Technical Assistance Center at 1-877-71-ASCOM, option 3.