

# Application Note

External



**Product:** Ascom UNITE Medamax Gateway

**Purpose:** Configuration Guide for GE Telligence Nurse Call Integration

**Date:** March 16, 2009

## Integration of GE Telligence Nurse Call Systems with UNITE Medamax Gateway

### Introduction

This document outlines the necessary steps and guidelines to optimally integrate the Ascom UNITE Medamax Gateway with GE Telligence Nurse Call Systems.

This guide should be used in conjunction with the appropriate vendor configuration guide(s) and is intended for someone knowledgeable on the configuration of GE Telligence Nurse Call and Ascom UNITE systems.

The steps, screen shots, and command line syntax depicted throughout this document are based upon Ascom Medamax Gateway software version 2.13 and GE Telligence Nurse Call Systems with ESM application.

### Product Summary and Network Topology

Manufacturer	GE Telligence
Manufacturer products	GE Telligence with ESM application
Physical interface method	RS232 with 9600, 7, E, 1, no flow control
Protocol	TAP 1.8
UNITE Product	T942SI-TAP with Medamax Gateway (SW version 2.13)

# Application Note

External

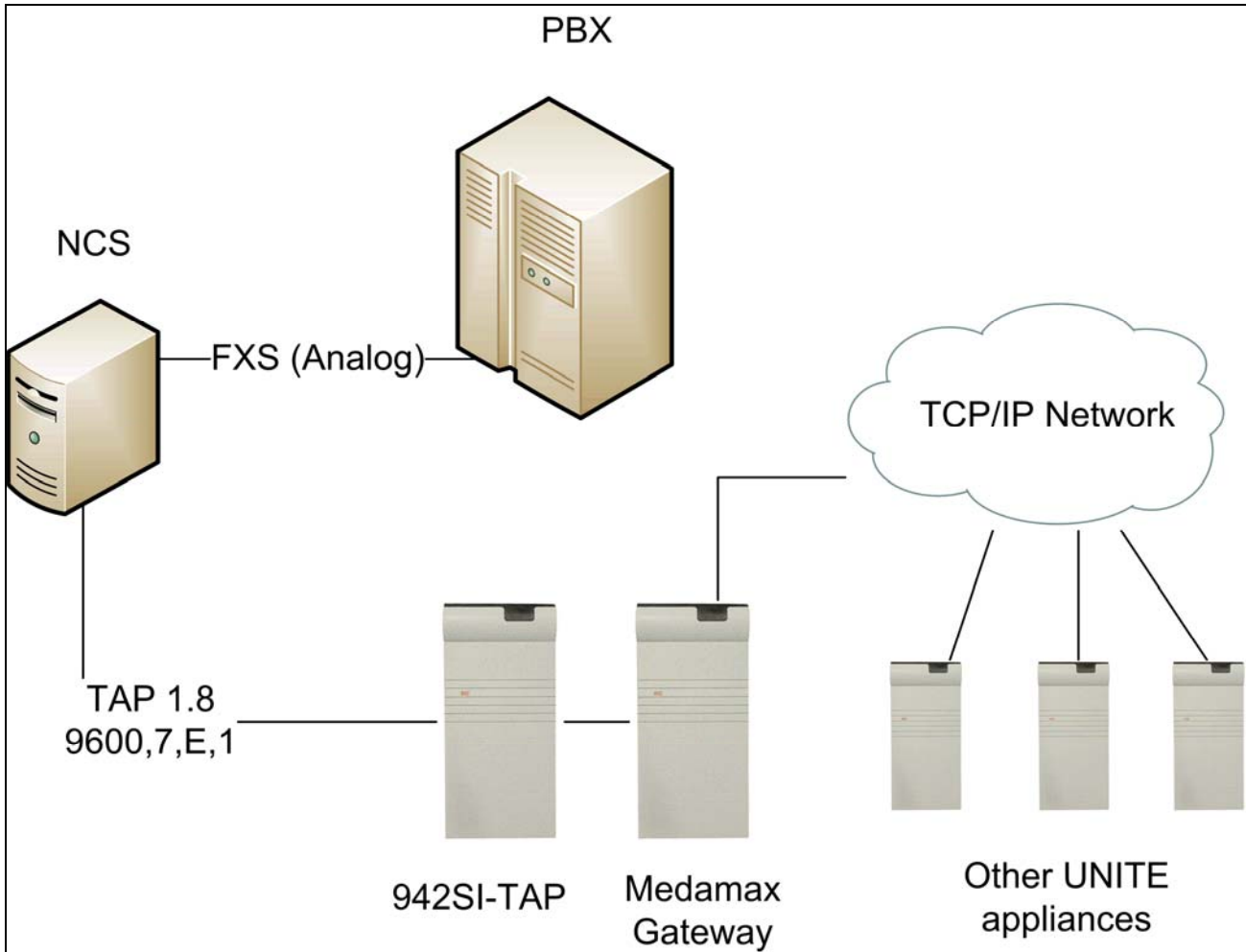
**ascom**

Ascom US Inc.

**Product:** Ascom UNITE Medamax Gateway

**Purpose:** Configuration Guide for GE Telligence Nurse Call Integration

**Date:** March 16, 2009



**Product:** Ascom UNITE Medamax Gateway

**Purpose:** Configuration Guide for GE Telligence Nurse Call Integration

**Date:** March 16, 2009

Models verified are:

## GE Telligence ESM application

- Complete PC6000 system
- File Server (must be 110-3613C File Server with version 3.20.X or later firmware)
- ESM Server SW – GE Telligence PN 439-0001 (fully configured on a PC)
- PC6000 Bridge SW – GE Telligence PN 439-0002 (installed on a PC)
- Pocket Page Bridge SW – GE Telligence PN 439-0003 (installed on a PC)
- Telephone (TELCO) Interface installed

Note: All 3 SW applications listed can be installed on one PC if these will be the only ESM modules for the site.

For further details, please refer to the configuration and installation manual of the GE Telligence Nurse Call system.

## **GE Telligence Nurse Call Configuration**

The 110-2118 board supplied with the GE Telligence system is capable of at least two variations of the TAP protocol. In order to support TAP 1.8, dipswitches have to be set accordingly to 1000.

For further details, please refer to the configuration and installation manual of the GE Telligence Nurse Call system.

**Product:** Ascom UNITE Medamax Gateway

**Purpose:** Configuration Guide for GE Telligence Nurse Call Integration

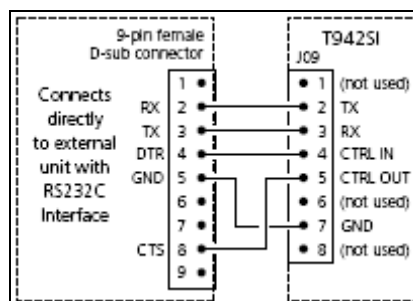
**Date:** March 16, 2009

## Ascom UNITE Configuration

### 942SI-TAP

The 942SI-TAP appliance provides a TAP 1.8 compliant inbound interface to the Medamax Gateway.

1. Connect the GE Telligence Nurse Call computer to the 8-pin modular connector J09 on the 942SI Serial Interface according to the applicable drawing below.



2. Connect the 942SI-TAP appliance to the Medamax Gateway via the System 900 bus. Make sure to set an appropriate module address with SW01 on the 942SI.

### Medamax Gateway

The Medamax Gateway, a component of the Ascom UNITE Messaging Suite, enables the integration of the GE Telligence Nurse Call Systems (NCS) with on-site wireless communication systems, wide-area paging carriers and short messaging service enabled cellular providers.

### System 900 configuration

1. Navigate to the Medamax Gateway administration interface (<http://xxx.xxx.xxx.xxx/admin>) and click on the System 900 interface link.
2. Set the *Bus Operating Mode* to "A-bus without Central Unit" and set the *Number of digits in call number* to the number of digits (extension length) received from the external system (e.g. 1234, set value to 4).

# Application Note

External



**Product:** Ascom UNITE Medamax Gateway

**Purpose:** Configuration Guide for GE Telligence Nurse Call Integration

**Date:** March 16, 2009

### System 900 Interface

Bus operating mode	?	A-bus without Central Unit	Previous
Module priority (*)	?	3	Factory
Number of message transmissions (*)	?	2	
Configuration of parameters below ?	?	Automatic	
Number of digits in call number (**)	?	4	
Prefix and call number range (**)	?	FFFFFFFF	
* = Only valid when 'A-bus with Central Unit' is selected			
** = Only manual configuration			
Send module status from A-bus to Unite?	?	Yes	
Call Diversion Display Text	?	Disabled	
		To: %	
<a href="#">View advanced parameters</a>			
<b>Activate</b>		<b>Cancel</b>	

## Restore Default Configuration

1. Navigate to the Medamax Gateway web administration page (<http://xxx.xxx.xxx.xxx>) and click the advanced button and then click the Backup/Restore link.
2. Click the Browse button and select the default Medamax Gateway configuration database for GE Telligence. Now, click the Restore button.

# Application Note

External



**Product:** Ascom UNITE Medamax Gateway

**Purpose:** Configuration Guide for GE Telligence Nurse Call Integration

**Date:** March 16, 2009

## GE Telligence Default Configuration overview

The default configuration includes the following event elements:

Event Element Name	Event Element Description
Event	Event Text received from the Nurse Call system. For example, "101 Normal".
CallBackString	The callback string that is necessary for the portable device to callback to originating room/bed audio station.
CallID	The device id (aka extension) that is received from the third party system, which designates the device that shall receive the notification event.
Type	The designated type of third party system that generated the inbound event. NCS = nurse call system events

It also includes two Events/Actions:

- One that performs an action which includes an Interactive Message providing callback capability to patient station.
- One that performs an action which includes a Message providing user Accept/Reject acknowledgement options.

These Events/Actions serve as examples and be modified and added upon depending on the specific customer requirements.

## Customize Web Interface

The Medamax Gateway web administration interface can be customized to reflect the Medamax Gateway name convention allowing administrators to easily associate this UNITE appliance with its integrated function.

1. Navigate to Medamax Gateway web administration page (<http://xxx.xxx.xxx.xxx>) and click the advanced button and then click the Set Language link.
2. From the drop down box, select "English-Medamax and click the Set Language button.
3. Next, with an FTP client (i.e. Windows Explorer), navigate to <ftp://xxx.xxx.xxx.xxx> and open the xgatestart folder. Replace the original index.html file with the Medamax Gateway specific index.html file.

# Application Note

External



**Product:** Ascom UNITE Medamax Gateway

**Purpose:** Configuration Guide for GE Telligence Nurse Call Integration

**Date:** March 16, 2009

## Related Documents

Installation Guide, Serial Interface T942SI	TD 90927GB
Installation Guide, ELISE2	TD 92232GB
Installation and Operation Manual, XGate	TD 92338GB
User Manual Administration, XGate	TD 92364GB
Programming Guide, Event Handler	TD 92329GB

## Additional Information

If you have any questions or need additional information, please contact Ascom Technical Assistance Center at 1-877-71-ASCOM, option 3.